

Digital Undercounter ecostore HP Premium Refrigerated Counter - 290lt, 2-Door, Remote CO2

ITEM # _____

MODEL # _____

NAME # _____

SIS # _____

AIA # _____


710294 (EH2MRAA)

 2-door Refrigerated Counter
 290lt, -2+10°C, AISI 304,
 remote, CO2 with valve

Short Form Specification

Item No. _____

External and internal in AISI 304 stainless steel, galvanized back panel. Worktop thickness 50mm. Insulation thickness 90mm. N. 2 full doors. For connection to a remote refrigeration unit (not included). Ventilated operating mode. Evaporator. Electronic microprocessor control with external digital temperature display. Automatic defrost. Operating temperature: -2+10°C. Specific for CO2 gas, valve is included.
 Supplied with n. 2X1/1GN rilsan coated grids.

Main Features

- Certified safety CE requirements.
- Connectivity ready for real time access to connected appliances from remote and data monitoring (requires optional accessory).
- Adjustable temperature range from -2 °C to +10 °C to suit meat, fish and dairy storage requirements.
- Large digital white-digit display with humidity selection button (3 preset level), internal temperature display and setting, manual activation of defrost cycle and turbo frost cycle (to rapidly cool warm loads).
- Equipped with Optiflow forced air circulation system for rapid cooling and temperature distribution within the cell.
- 0mm clearance installation space: lower configuration cooling unit guarantee performance with frontal ventilation only; this unique solution allows installation against the wall or side by side with other appliances, even on the cooling unit side to maximize the use of kitchen space.
- Combination of doors and drawers to suit any configuration needed, with the possibility to change the configuration on site. Right cooling unit available on request.
- Fully compliant HACCP digital control: when temperature exceeds critical limits, acoustic and visual alarms are activated. Up to two months of event are kept in memory.
- Anti-tilt runners accept GN 1/1 containers.
- Self closing stainless steel doors (< 90°).
- Prearranged to fit RS485 port to facilitate connection to a remote computer and integrated HACCP systems.
- Electrolux Professional Fridge Control APP make the life easier for our customers:
 - Monitor safety of preservation process thanks to HACCP data & alarms for precise control
 - Save time and easy data management having the possibility to send the HACCP information in excel format directly to e-mail address
 - Quick operations: set the cabinet temperature/humidity/turbocooling and set date/hour
- Tropicalized unit.

APPROVAL: _____

Construction

- Ease of cleaning and high hygiene standards thanks to the rounded internal corners, the easily removable runners, grids and air conveyors.
- Interior base with rounded corners, pressed from a single sheet.
- Internal structure with 15 charging positions (3 cm pitch) available to host GN 1/1 grids, ensuring higher net capacity and a greater storage space.
- If needed, working top can be removed for easier handling during installation (in case of narrow doors).
- 2 compartments with 2 doors.
- Anti-drip profile on stainless steel worktop edge.
- Internal and external doors, front and side panels and removable worktop in AISI 304 Stainless steel.
- Mounted on stainless steel feet to give 150 mm (-5/+50 mm) clearance for ease of cleaning the floor.
- External bottom panel in stainless steel.
- External back panel in galvanized steel.
- Developed and produced in ISO 9001 and ISO 14001 certified factory.
- Fault code display.
- Remote refrigeration unit.
- Worktop in AISI 304 Stainless steel with a 50 mm profile.

Sustainability



- Removable triple-chamber balloon magnetic gasket to improve insulation and reduce energy consumption and ease of cleaning.
- Fitted with 90 mm thickness of cyclopentane insulation for best insulating performance (thermal conductivity: 0,020 W/m*K) and lowest environmental impact (GWP=3).
- Frost Watch Control starts automatically the defrosting process only when needed and ends once ice is melted, improving energy efficiency results.
- CO₂ (R744) is the refrigerant choice that's safe for the environment and delivers outstanding performance.
 Eco-Friendly: Zero Ozone Depletion Potential and an ultra-low Global Warming Potential (GWP = 1).
 Safe to Use: Non-toxic and non-flammable for peace of mind.
 Sustainable: A natural refrigerant that supports a greener, cleaner planet.

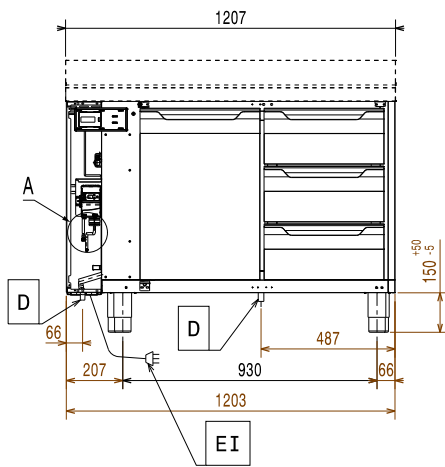
Included Accessories

- 2 of Kit 1/1 grey rilsan grid and 2 side runners for refrigerated counters PNC 881109

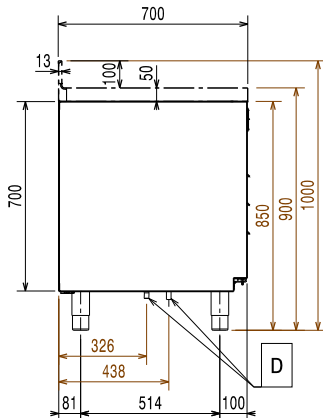
Optional Accessories

- Automatic defrost with waste evaporation PNC 880028
- 2x½ drawer kit for refrigerated counters PNC 881058
- 3x1/3 drawer kit for refrigerated counters PNC 881059
- 1/3 and 2/3 bottle drawer kit for refrigerated counters PNC 881071
- 1/1GN grey rilsan grid for refrigerated counters PNC 881107
- 2 side runners for 1/1 GN ecostore refrigerated counters PNC 881108
- Kit 1/1 grey rilsan grid and 2 side runners for refrigerated counters PNC 881109
- 1/1 GN plastic container, H=65 mm PNC 881110
- 1/1 GN plastic container, H=100 mm PNC 881111
- 1/1 GN plastic container, H=150 mm PNC 881112
- Kit 710 body height for 2-door counters - HP - remote PNC 881146
- Lock for refrigerator/freezer counters with 2 compartments - h700mm (can be used in kit for Marine conversion) PNC 881242

Front

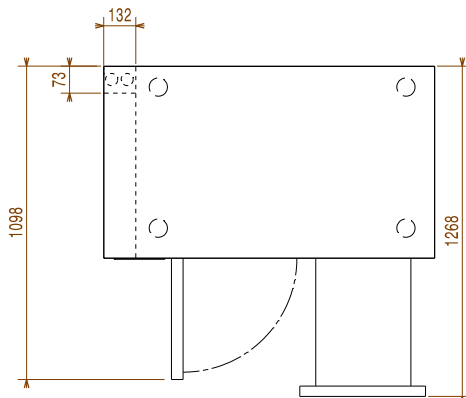


Side



EI = Electrical inlet (power)

Top



Electric

Supply voltage:	710294 (EH2MRAA)	220-240 V/1 ph/50/60 Hz
Electrical power max.:		0.045 kW
Defrost Power:		0.22 kW
Plug type:		CE-SCHUKO

Key Information:

Gross capacity:	290 lt
Net Volume:	198 lt
Door hinges:	1 Left+1 Right
External dimensions, Width:	1207 mm
External dimensions, Depth:	700 mm
External dimensions, Depth with Doors Open:	1110 mm
External dimensions, Height:	900 mm
Internal Dimensions, Width:	798 mm
Internal Dimensions, Depth:	560 mm
Internal Dimensions, Height:	550 mm
Net weight:	90 kg
Shipping volume:	1.02 m ³
Depth with doors open:	1110 mm
Height adjustment:	-5/50 mm

Refrigeration Data

Control type:	Digital
Min/Max internal humidity:	
Operating temperature min.:	-2 °C
Operating temperature max.:	10 °C
Refrigeration type:	R744
Operating mode:	Ventilated
Suggested refrigeration power:	368 W
Condition at evaporation temperature:	-10 °C
Condition at condensation temperature:	55 °C
Condition at ambient temperature:	43 °C
Connection pipes (remote) - outlet:	8 mm
Connection pipes (remote) - inlet:	8 mm

ISO Certificates

ISO Standards:	ISO 9001; ISO 14001; ISO 45001; ISO 50001
----------------	---

Sustainability

Current consumption:	0.3 Amps
----------------------	----------